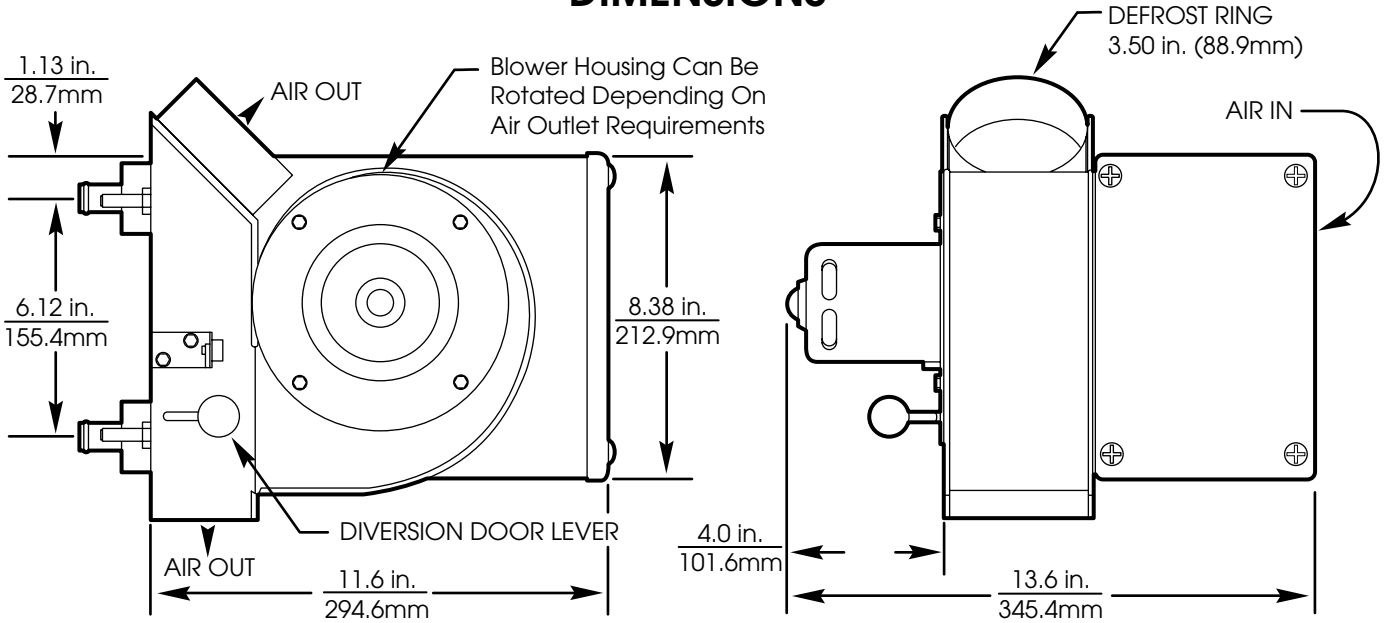




Red Dot Heater-Defroster R-4013 Series

TECHNICAL SALES BULLETIN AND SERVICE PARTS LIST

DIMENSIONS

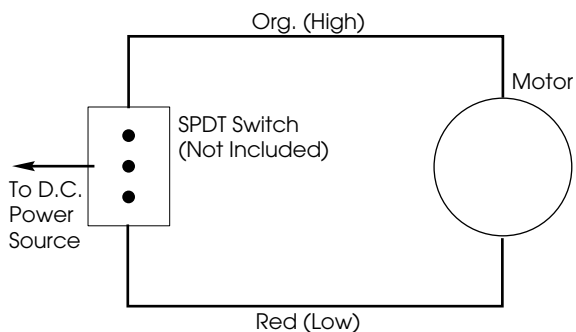


SPECIFICATIONS

BTU's Per Hour:	20,000 BTU/Hr @ 100°F Air Temperature Rise
Air Flow:	185 C.F.M.
Current Draw:	11 Amps @ 13.6 Volts
Weight:	15.7 Lbs.

SCHEMATICS

ELECTRICAL SCHEMATIC



NOTE: Motor internally grounded.

PLUMBING SCHEMATIC

